

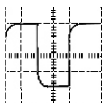
How to Adjust the Probe Compensation

Frequency Compensation

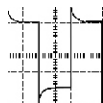
You are suggested to compensate probe so as to match its characteristics to oscilloscope. The probes can be adjusted for both low-frequency compensation and high-frequency compensation. Low-frequency compensation needs to be done while first connection but high-frequency compensation can be performed regularly.

Low-frequency compensation

- 1 Connect the probe to the signal terminal for adjusting probe at the front-panel of the oscilloscope in order to start low-frequency compensation.
- 2 Set the attenuation ratio to 10X, press "Auto" key on the front panel of the oscilloscope.
- 3 Use the adjustment tool to adjust the low frequency adjustment hole to obtain the most flattest pulse. (See figures below)



Incorrect



Incorrect

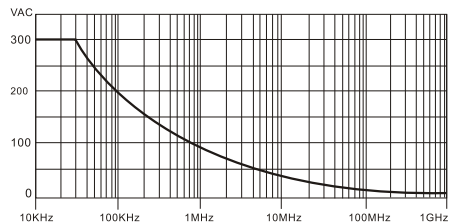


Correct

High-frequency compensation

- 1 Connect the probe to a generator with quick rise time by using a 50Ω feedthrough. (Use the ground spring to ground the probe)
- 2 Output a signal with at least 500ps rise time from the generator.
- 3 Set the attenuation ratio to 10X, press "Auto" key on the front panel of the oscilloscope.
- 4 Use the adjustment tool to adjust the high frequency adjustment hole in tiny increments until the flattest top appeared with displayed waveform.

Voltage vs Frequency Rating Curve



CAT II: IEC Measurement Category II. Inputs may be connected to mains (up to 300 VAC) under Category II overvoltage conditions.

☑ Equipment protected throughout by DOUBLE INSULATION or REINFORCED INSULATION

⚠ Review this user manual carefully to avoid injury and prevent damage to this product or any products connected to it. To avoid potential hazards, use this product only as specified.

探头参数 (Probe Characteristics)

操作环境	Operation Environment	0~50°C, 0~80%RH
存放环境	Storage Environment	-20~60°C, 0~90%RH
探头尺寸	Size	140±2cm
探头重量	Weight	About 56g
带宽	Bandwidth	1X: DC~8MHz 10X: DC~350MHz
上升时间	Rise time	1X: 40ns 10X: 900ps
衰减率	Attenuation Ratio	10:1 or 1:1 Switchable
输入阻抗	Input Resistance	1X: 1MΩ ±2% 10X: 10MΩ ±2%
输入电容	Input Capacitance	1X: 100pF ±20pF 10X: 16pF ±5pF
最大输入	Maximum Input	1X: CAT II 150V AC 10X: CAT II 300V AC
补偿范围	Compensation Range	5pF~29pF

探头零件清单 (Accessory Kit)

Item	名称描述	Description	Quantity
1	探头	Probe	1
2	探头钩	Retractable Hook Tip	1
3	补偿调节棒	Adjustment Tool	1
4	绝缘保护帽	Locating Sleeve	1
5	标识环 (绿, 黄, 蓝, 粉)	Marker Rings (green, yellow, blue, and pink)	8
6	接地鳄鱼夹	Ground Lead	1
7	接地弹簧	Ground Spring	1

北京普源精电科技有限公司

Tel: (86-10)80706688 800-810-0002
Fax: (86-10)80705070 邮编:102206
地址:北京市昌平区沙河镇踩河村156号
E-mail:service@rigol.com

RIGOL Technologies, Inc.

156# CaiHe Village, ShaHe Town, ChangPing District, Beijing, China
Tel: (86-10)80706688 Fax: (86-10)80705070
Post Code: 102206 E-mail:service@rigol.com

RIGOL®

用户手册 User's Guide



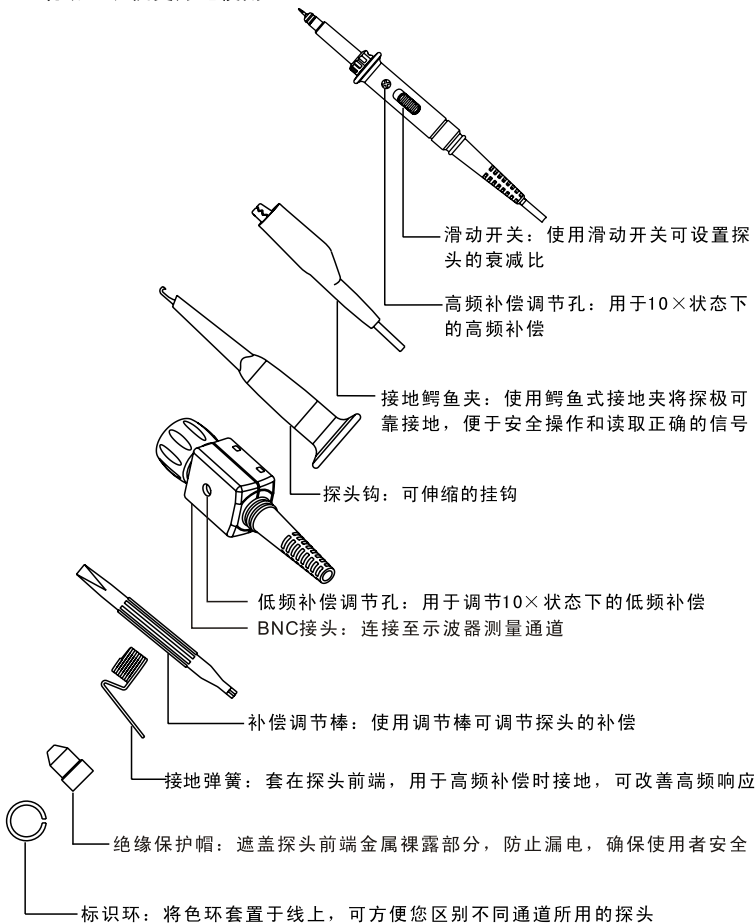
© 2008 RIGOL Technologies, Inc. All Rights Reserved

RP3300型无源示波器探头

RP3300 Passive Oscilloscope Probe

附件说明

RP3300系列探头配有附件，使测试更为方便。请在使用前尽量熟悉下列说明，以便更好地使用。



调节探头补偿

探头频率补偿

您需对探头进行补偿使其特性和示波器匹配。探头可进行低频补偿和高频补偿，首次将探头与示波器相连时需进行低频补偿，高频补偿可定期进行。

低频补偿

- 1 将探头连接到示波器前面板的校准信号输出端和信号输入端。
- 2 将探头衰减设为10X，按下示波器前面板上的Auto键，屏幕将显示1kHz的方波。
- 3 使用调节棒调节探头的低频补偿调节孔，直至得到下图所示的平坦方波。



错误



错误

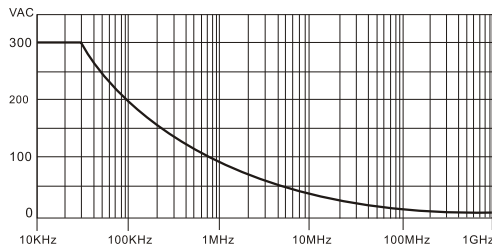


正确

高频补偿

- 1 将探头通过50Ω匹配连接到一个快沿信号发生器(此时探头要用接地弹簧接地)；
- 2 从信号源输出小于500ps的快沿信号；
- 3 将探头衰减设为10X，按下示波器前面板上的Auto键，观测示波器上波形；
- 4 使用调节棒以微小增量调节探头的高频补偿调节孔，直到显示的波形呈现出平坦的顶部和陡峭的上升沿。

最大输入电压-频率特征图



CAT II: IEC测量类别II。在类别II过压情况下，输入可能连接到电力干线（高达300VAC）

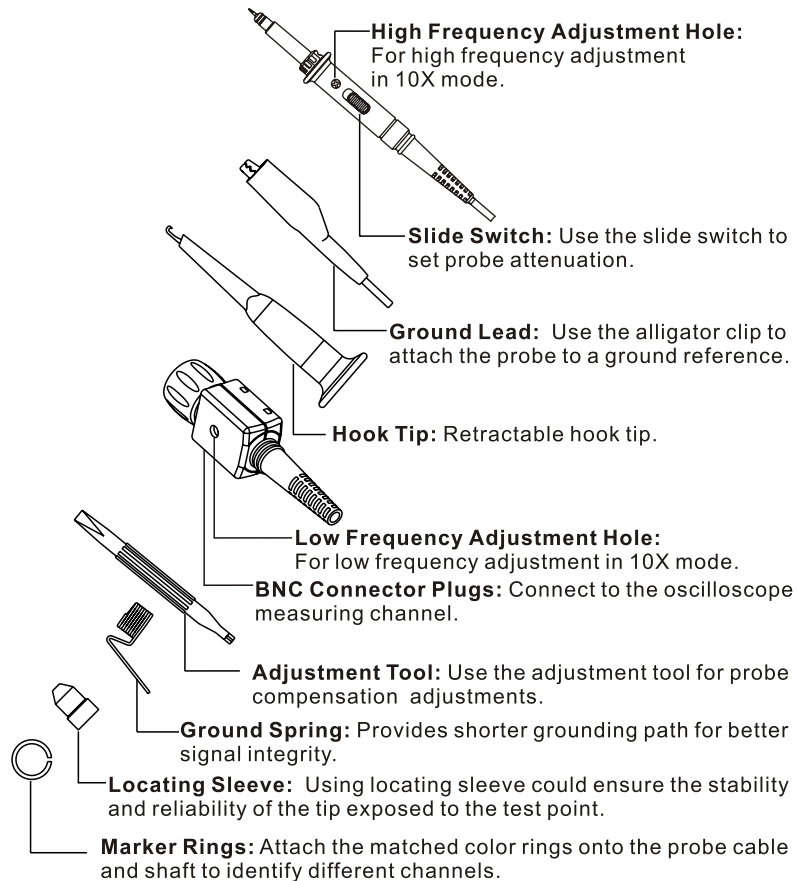
☐ 设备通过双重绝缘或加强绝缘保护。

⚠ 使用前请仔细阅读用户手册以避免人员损伤和设备及其所连接设备的损害。为避免危险，请按说明正确使用。

注：产品规格如有变更，恕不另行通知。

Accessories and Features

RP3300 is provided with several accessories designed to make probing and measurement simpler. Please take a moment to familiarize yourself with these accessories and their uses.



Note: Contents of this document are subject to change without notice.